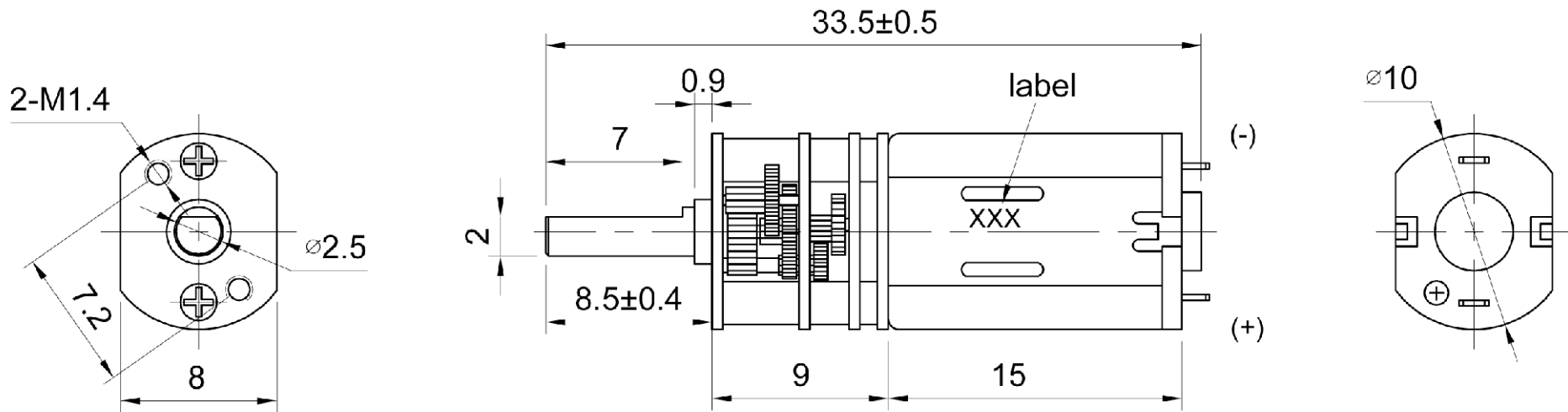


Micro gear G250 with metal gears

G250



TESTING CONDITIONS

1. AT RATED VOLTAGE: 3.0VDC (OPERATING RANGE: 2.0~4.5VDC)
2. AT 25±5°C TEMPERATURE AND 60±20% HUMIDITY (OPERATION RANGE: -10°C~+60°C)
3. INSPECTION AFTER 30 SECONDS RUNNING

NO LOAD

1. NO LOAD CURRENT: 0.08A max
2. NO LOAD SPEED: 62±10%rpm

ON LOAD

1. ON LOAD TORQUE: 190g.cm
2. ON LOAD CURRENT: 0.15A max
3. ON LOAD SPEED: 54±10%rpm

AT STALL

(EXTRAPOLATED)

1. STALL CURRENT: 0.61A max

Notes:

1. Please do the Soldering work in 2 seconds with the soldering-iron Tip at 340~400°C.
2. Do not shock or drop the motor onto ground during mounting process.
3. It is necessary to be careful that any adhesive or glue shall not spread into gearbox shaft along the shaft.

	Date	Company	Product	
Processed	11.01.18	SOL-EXPERT	Micro gear G250 with metal gears	
Checked				
Art.no.	96443			
EAN	4037373964437			
			Revision: 01 (13.03.2017)	Sheet 1